

MANISCOPIC



MLT 735





- Maximum lifting height : 6.90 m
- Capacity : 3500 kg
- Maximum forward reach : 3.90 m
- Torque convertor
- JSM : an «all in one» system
 - 1) Hydraulic controls
 - 2) Forward/Reverse selection
 - 3) Speed selection (Powershift option)





MLT 735


-  **Lifting capacity**3500 kg
(load centre at 500mm from forks heels)
Tipping load at maximum reach1490 kg
-  **Lifting height**6.90 m
Times: unladen / loaded (in s)
Lifting6.7/7.3
Lowering4.8/4.6
Boom extension.....7.1/7.3
Boom retraction.....5.7/5.5
Time unladen (in s)
Crowd.....3
Dump2.3


 **Tyres**
460/70-24 XMCL

 **Forks (mm)**
Length.....1200
Width X thickness.....125 x 45
Maximum distance between forks.....1260
Carriage rotation.....146°


 **Oil bath multidisc assisted brakes on front and rear axles**

 **Perkins engine STAGE III A**
Turbo: 1104 D - 44 TA.....4 cyl. - 4400 cm³
Turbo 120: 1104 D - E 44 TA4 cyl. - 4400 cm³
Puissance at 2200 tr/mn
(ISO/TR 14396) Turbo.....101 HP/74.5 kw
Turbo 120124 HP/91 kw
Maximum torque: Turbo.....410 Nm at 1400 rpm
Turbo 120490 Nm at 1400 rpm
Direct injection
Water cooling

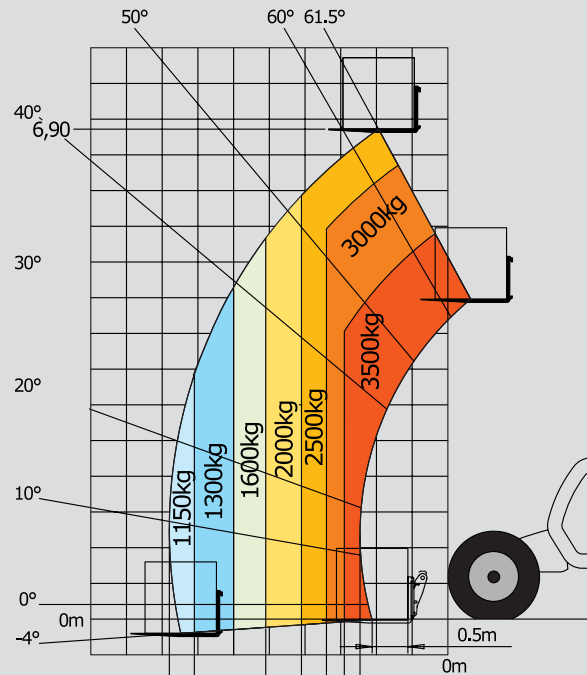
 **Transmission**torque convertor
Reversing shift.....electrohydraulic
TLSU/120 LSU :
Powershuttle.....4/4
Max. travel speed up to 35 km/h*
120 LSU PS :
Powershift6/3
Max. travel speed up to 40 km/h*

 **Hydraulic**
Turbo LSU:.....108 l./mn - 270 bars
Variable displacement pump
Valve bank DDIC
Monolever **J.S.M (Joystick Switch and Move)**
Turbo 120 LSU/120 LSU PS: ...149 l./mn - 270 bars
Electronically regulated variable displacement pump
Valve bank DDIC
Monolever **J.S.M (Joystick Switch and Move)**
Flow divider with load sensing device driving and braking

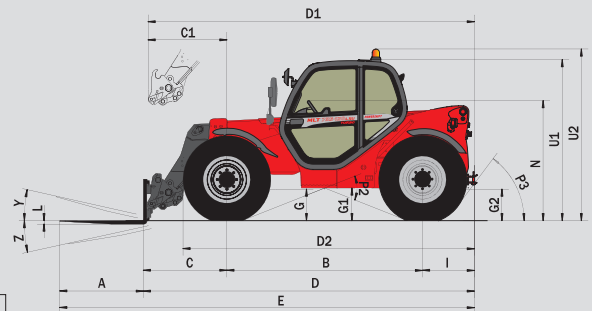
 **Capacities**
Hydraulic oil135 l
Fuel tank120 l

 **Weight unladen (with forks)**.....6980/7090 kg
Overall height2.30 m
Overall width2.40 m
Overall length (at forks carriage).....4.79 m
Ground clearance0.44 m
Turning radius (outside wheels)3.92 m
Drawbar pull up to 8770 daN

Forward reach at maximum height : 1.03 m

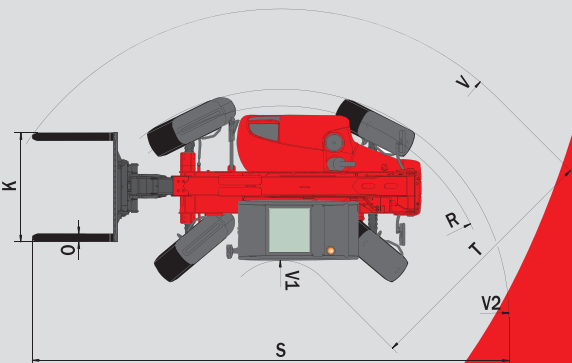
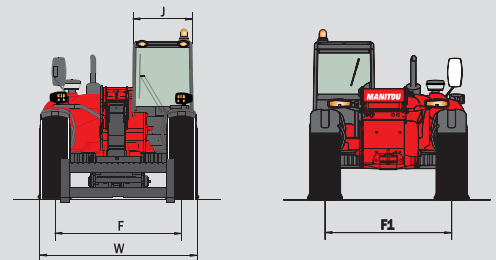


EN 1459 annexe B



MLT 735 - 120 LSU
MLT 735 - 120 LSU PS

A	1200
B	2810
C	1191.4
C1	1287
D	4790.4
D1	4886
D2	4165
E	5990.4
F	1935
F1	1935
G	450
G1	435
G2	435
I	789
J	980
K	1260
L	45
N	1715
O	125
P2	38°
P3	53°
R	3685
S	7714.9
T	3575
U1	2295
U2	2545
V	4885
V1	1310
V2	3918.5
W	2402
Y	12.5°
Z	133.7°



mm

This publication in no way constitutes an offer and the company reserves the right to alter specification without prior notice. The MANITOU models presented in this brochure can be supplied complete with optional equipment attachments. Operator shall conform with applicable regulation. * Can change according to the local regulation.

